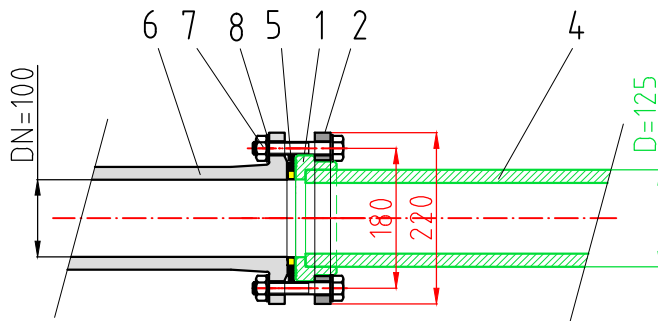


## FV AQUA SYSTEM

### Flange joint of plastic pipe D 125 and metal pipe DN 100



1. FV PP-RCT hem collar
  2. FV free flange for hem collar
  4. FV PP-RCT pipe
  5. gasket
  6. flanged metal pipe
  7. screw M16
  8. washer
- D external dimension fo plasti pipe  
DN internal dimension of metal pipe

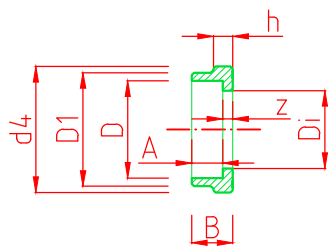
- metal pipe with an integrated  
flange DN 100

-plastic pipe D125

-FV PP-RCT hem collar D125/DN100, new product code BA230125100

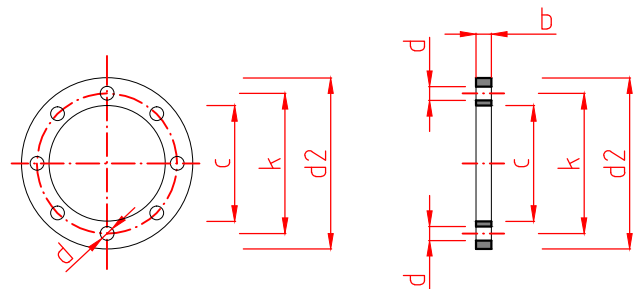
-plasted flange D125/DN 100, new product code AA231125 100

#### FV PP-RCT hem collar D125/DN 100



D [mm]	d4 [mm]	Di [mm]	D1 [mm]	z [mm]	A [mm]	B [mm]	h [mm]
125	162	100	146	13	40	53	25

#### FV free flange for hem collar D125/DN 100



D [mm]	d2 [mm]	k [mm]	b [mm]	c [mm]	d [mm]	no. of holes
125	220	180	18	149	18	8

FV - Plast, new product code BA230125100

FV - Plast, new product code AA231125100

	<a href="http://www.fv-plast.cz">www.fv-plast.cz</a> <a href="http://www.fv-therm.cz">www.fv-therm.cz</a>
	<b>DRAWING TITLE:</b> DESIGN LIST FLANGE JOINT D125 DN 100
<b>SCALE:</b> 1:X	
<b>DATE:</b> 2020	
	Technical support FV - Plast, a.s. mobile: +420 770 168 690, +971 56 396 1784 e-mail: roman.misek@fvplast.com